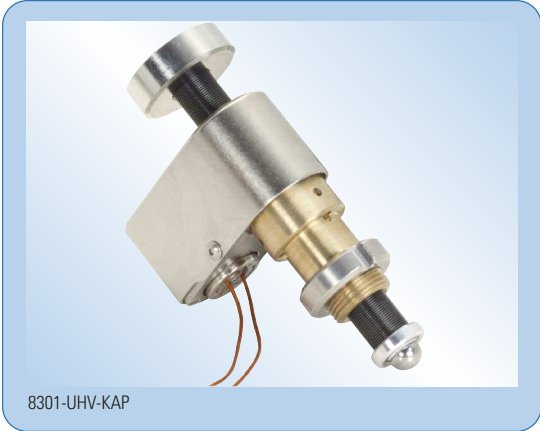
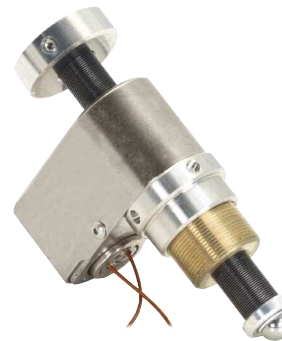


Ultra High Vacuum Picomotor™ Actuators with Kapton Wires



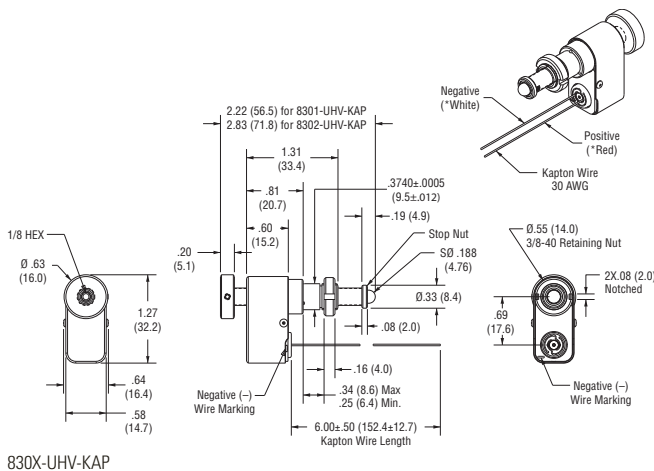
Models 8301-UHV-KAP, 8302-UHV-KAP, and 8321-UHV-KAP Ultra-High Vacuum Picomotor™ Actuators with Kapton Wires offer 0.5 inch (12.7 mm) or 1.0 inch (25.4 mm) travel and can be used in UHV environments (10^{-9} Torr) as well as for VUV/EUV applications. Similar to our UHV picomotors, it is now offered with Kapton wires while utilizing our patent pending strain relief mechanism. It is ideal for beam-steering and scientific vacuum motion-control applications. This actuator offers the same, better than 30-nm resolution with minimal backlash, along with excellent long-term stability and high stiffness, including the ability to maintain their set positions even in the power-off state.

- Ultra High Vacuum Compatible (10^{-9} Torr)
- Outgas less than 5 ppm of volatile mass at 85° C over 3 hrs
- 0.5 and 1.0in travel range
- Kapton Wires

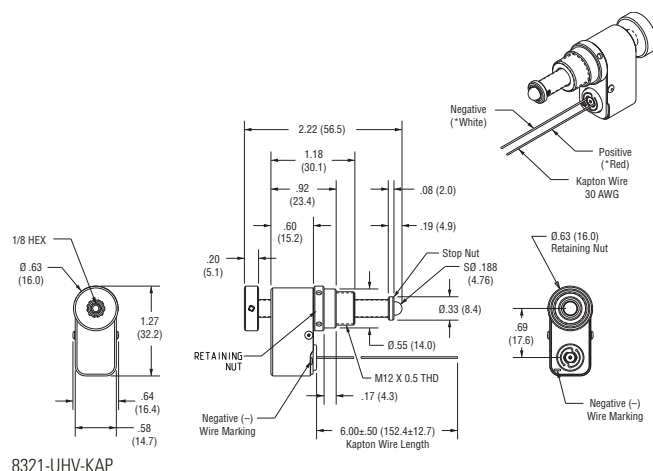


Ultra High Vacuum Picomotor™ Actuators with Kapton Wires

Specifications	8301-UHV-KAP	8302-UHV-KAP	8321-UHV-KAP
Travel Range (mm)	12.7	25.4	12.7
Minimum Incremental Motion (nm)	<30	<30	<30
Axial Load Capacity (N)	22	22	22
Operating Temperature Range (°C)	10 to 40	10 to 40	10 to 40
Vacuum Compatibility	10 ⁻⁹ Torr	10 ⁻⁹ Torr	10 ⁻⁹ Torr
Wire Type (vacuum rated)	Kapton	Kapton	Kapton
Connector Type	4-pin RJ-22 (non-vacuum-rated)	4-pin RJ-22 (non-vacuum-rated)	4-pin RJ-22 (non-vacuum-rated)
Cable Length [ft. (m)]	7 (2.1)	7 (2.1)	7 (2.1)
Mounting	0.375 in. Shank (9.5 mm Shank)	0.375 in. Shank (9.5 mm Shank)	12 x 0.5 mm Thread (12x0.5-mm thread)



830X-UHV-KAP



8321-UHV-KAP

Model	Description
8301-UHV-KAP	Ultra-High Vacuum Picomotor Actuator, 0.5 in. Travel, 0.375 in. Shank with Kapton Wires
8302-UHV-KAP	Ultra-High Vacuum Picomotor Actuator, 1.0 in. Travel, 0.375 in. Shank with Kapton Wires
8321-UHV-KAP	Ultra-High Vacuum Picomotor Actuator, 0.5 in. Travel, 12x0.5 mm Thread with Kapton Wires
8742-4-KIT	Four-Axis 8742 Picomotor Controller/Driver Kit
8758	Hand Control Pad for 874X Picomotor Controller/Drivers



3635 Peterson Way, Santa Clara, CA 95054, USA

PHONE: 1-800-222-6440 1-408-980-4300 FAX: 1-408-919-6083 EMAIL: sales@newfocus.com

www.newport.com/newfocus

PHONE
 Belgium +32-(0)0800-11 257
 China +86-10-6267-0065
 France +33-(0)1-60-91-68-68
 Japan +81-3-3794-5511
 Taiwan +886 -(0)2-2508-4977

EMAIL
 belgium@newport.com
 china@newport.com
 france@newport.com
 spectra-physics@splasers.co.jp
 sales@newport.com.tw

PHONE
 Irvine, CA, USA +1-800-222-6440
 Netherlands +31-(0)30 6592111
 United Kingdom +44-1235-432-710
 Germany / Austria / Switzerland +49-(0)6151-708-0

EMAIL
 sales@newport.com
 netherlands@newport.com
 uk@newport.com
 germany@newport.com

Newport Corporation, Irvine, California and Franklin, Massachusetts; Evry and Beaune-La-Rolande, France and Wuxi, China have all been certified compliant with ISO 9001 by the British Standards Institution. Santa Clara, California is DNV certified.

Newport Corporation, Global Headquarters 1791 Deere Avenue, Irvine, CA 92606, USA
 PHONE: 1-800-222-6440 1-949-863-3144
 EMAIL: sales@newport.com
 Complete listings for all global office locations are available online at www.newport.com/contact

© 2014 Newport Corporation. All rights reserved. New Focus, the New Focus logo and the Newport logo are registered trademarks of Newport Corporation.

DS-031402 (03/14)